

Technical Information

MOBICONE MCO 90(i) EVO2



Track-mounted cone crusher

For use in natural stone

MOBICONE EVO2

Series

HIGHLIGHTS

- > Base-mounted cone crusher with large stroke for high crushing capacity and top product quality
- > Continuous Feed System (CFS) for optimum crusher loading
- > Innovative overload systems for maximum machine availability
- > Efficient and powerful D-DRIVE diesel-direct drive with load-dependent fan
- > Simple and intuitive SPECTIVE control concept
- > Linking option with other KLEEMANN plants

MOBICONE MCO 90(i) EVO2 mobile cone crusher

The MOBICONE MCO 90(i) EVO2 is a powerful team player in hard stone in the 2nd and 3rd crushing stage. Whereas top product quality can be expected from a cone crusher, the MCO 90(i) EVO2 also delivers high production output. With different tools and without further conversion work on the crusher, the cone crusher covers a gap range of 6 - 45 mm - for an even larger range of applications. Optimum efficiency, simple operation and innovative overload systems are the outstanding features of the plant.



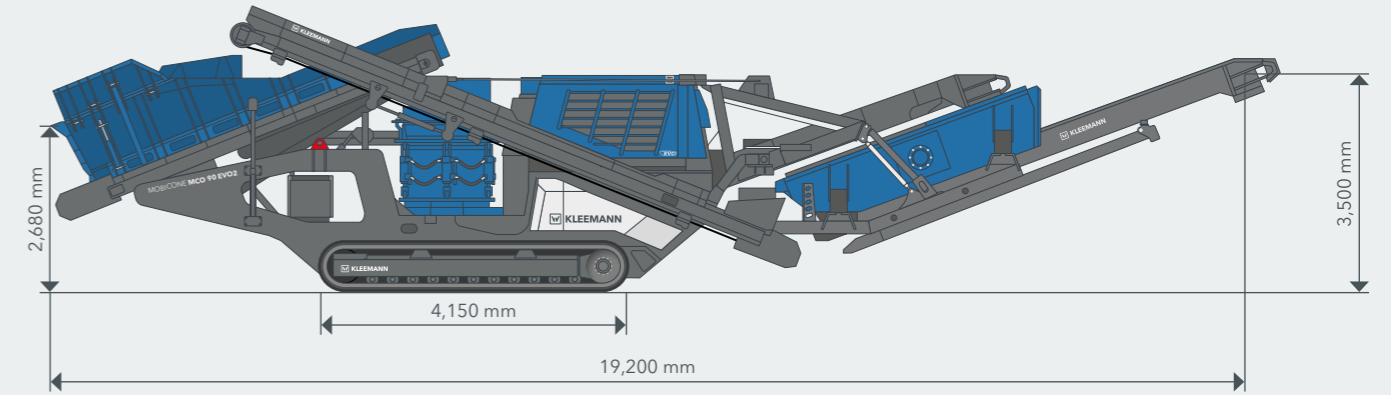
TECHNICAL DATA MCO 90(i) EVO2

Feeding unit	
Feed capacity up to approx. (t/h)	270 ¹⁾
Max. feed size (mm)	200
Feed height approx. (mm)	2,680
Feed height with extension approx. (mm)	3,240
Hopper volume (with extension) approx. (m³)	6.6 (8.3)
Width x length approx. (mm)	2,780 x 3,000
Width x length with extension approx. (mm)	3,700 x 3,500
Feeding conveyor	
Width x length (mm)	1,000 x 6,400
Crusher	
Cone crusher type	KX 250
Crusher system size d= (mm)	970
Crusher weight approx. (kg)	8900
Crusher drive type, approx. (kW)	direct, 185
Plant performance at 0 - 32 mm approx. (t/h)	220
Plant performance at 0 - 63 mm approx. (t/h)	270
Crusher discharge conveyor	
Width x length (mm)	800 x 9,100
Discharge height approx. (mm)	3,300
Power supply unit	
Drive concept	diesel-direct ²⁾
Drive output of Scania diesel engine (kW)	287 - 289 ³⁾
Generator (kVA)	135
Post screening unit (optional)	
Single-deck post screening unit	
> Width x length (mm)	1,350 x 4,000
> Return conveyor (mm)	500 x 9,000
> Discharge height of fine grain discharge conveyor approx. (mm)	3,600

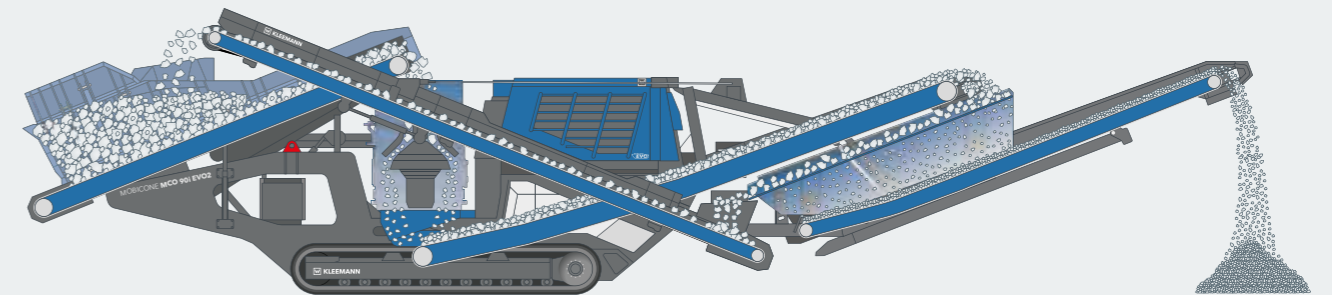
Post screening unit (optional)	
Double-deck post screening unit	
> Width x length (mm)	1,350 x 4,500
> Return conveyor (mm)	500 x 9,000
> Discharge height of fine grain discharge conveyor approx. (mm)	3,600
Transport	
Transport dimensions without options	
> Transport length approx. (mm)	16,000
> Transport width approx. (mm)	3,000
> Transport weight of basic plant - max. configuration (kg)	34,000 - 37,000
Transport dimensions with post screening unit	
> Transport length with single-deck post screening unit (mm)	20,200
> Transport length with double-deck post screening unit (mm)	20,700
> Transport width with screening unit (mm)	3,240
> Transport height with screening unit (mm)	3,400
Transport weight	
> Transport weight single-deck post screening unit (kg)	8,930 ⁴⁾
> Transport weight double-deck post screening unit (kg)	10,900 ⁴⁾
> Transport weight of basic plant - max. configuration (kg)	43,500 - 48,500

¹⁾ closed circuit
²⁾ all ancillary drives electric
³⁾ depending on the respective exhaust emission standard
⁴⁾ e.g. as hook lift system

OPERATING POSITION



MATERIAL FLOW



The mobile cone crusher is agile and easy to transport - thanks to compact transport dimensions and short set-up times, the machine is versatile and quickly ready for operation. Equipped with intelligent and effective overload systems such as "Tramp Release" or "Ringbounce Detection", safety and stable processes can be guaranteed for top product quality even under difficult conditions.

The MOBICONE MCO 90(i) EVO2 can be easily and intuitively combined with the different SPECTIVE components. SPECTIVE CONNECT, in particular, facilitates work for users because they can display all relevant machine data directly on the smartphone - no matter where they may be.

STANDARD EQUIPMENT

- > Hopper made of KRS (KLEEMANN Resistant Steel), hopper volume approx. 6.6 m³
- > Frequency-controlled feeding conveyor, automatic control depending on crusher level thanks to CFS (continuous feed system)
- > Metal detector under the feeding conveyor to protect the cone crusher against uncrushable metallic material
- > Mechanical overload system in crusher for opening the crushing chamber if unbreakable material enters
- > Intelligent overload detection ("Ringbounce Detection") protects the crusher against damage; two modes available
- > Wear indicator for recording the current wear level on the crushing tool
- > Automatic lubrication of crusher bearing
- > SPECTIVE control concept: menu-prompted user interface, 12-inch operator panel, lockable operating mode selector switch, dust- and vibration-protected; WITOS FleetView telematics system for efficient fleet and service management
- > SPECTIVE remote control: wired and radio remote control for the complete set-up procedure from the ground
- > Water spray system for dust reduction
- > Well-thought-out lighting concept for safe plant operation

OPTIONS

- > SPECTIVE CONNECT for displaying all important machine information directly on the smartphone
- > Hopper extension up to total hopper volume of 8.3 m³
- > Hopper filling aids for rearward loading: width of feed opening 3,700 mm
- > Magnetic remover for lifting out magnetic elements

OPTIONS

- > Diesel refuelling pump: hose system incl. pump, refuelling from a separate tank possible
- > PreCare diesel prefilter
- > Camera system for monitoring the feeding unit and the crusher from the ground, available with additional radio extension
- > Small radio remote control with the most important operating functions
- > Extended crusher discharge conveyor, can be folded hydraulically
- > Crusher discharge conveyor belt cover (standard and extended) and fine grain conveyor
- > Head scraper on crusher discharge conveyor and fine grain conveyor
- > Belt scale, available for crusher discharge conveyor, medium grain conveyor and fine grain conveyor (secondary screening unit)
- > Post screening unit as single deck vibrating screen for classification of a final grain size, incl. spray system
- > Post screening unit as double-deck vibrating screen for classification of two final grain sizes, incl. spray system
- > Swivelling return conveyor for operation in closed circuit or with swing-out return and side discharge of oversize grain
- > Hook-lift system for simple transport of the post screening unit
- > Climate packages: heat and cold package
- > Sockets for supplying electrical users:
16 A: 230 V / 400 V; 32 A: 400 V
- > Water pump with pressure monitoring
- > Raised engine air intake for lower dust load
- > Line coupling for linking with other KLEEMANN plants, also available in a wireless version
- > Additional lockable storage container
- > Track pads for crawler chassis for ground protection
- > Premium lighting for expanded illumination of work areas

KLEEMANN GmbH

Manfred-Wörner-Str. 160
73037 Göppingen
Germany

T: +49 7161 206-0
F: +49 7161 206-100
M: info@kleemann.info

www.kleemann.info

